

# ActiveCount

## MICROBIOLOGICAL SAMPLERS




The ActiveCount family is a set of high performance portable active air samplers suitable for use in cleanrooms and aseptic environments. They offer self-adjusting flow control to ensure accurate sampling, as well as continuous and periodic sampling modes for optimum sampling flexibility.

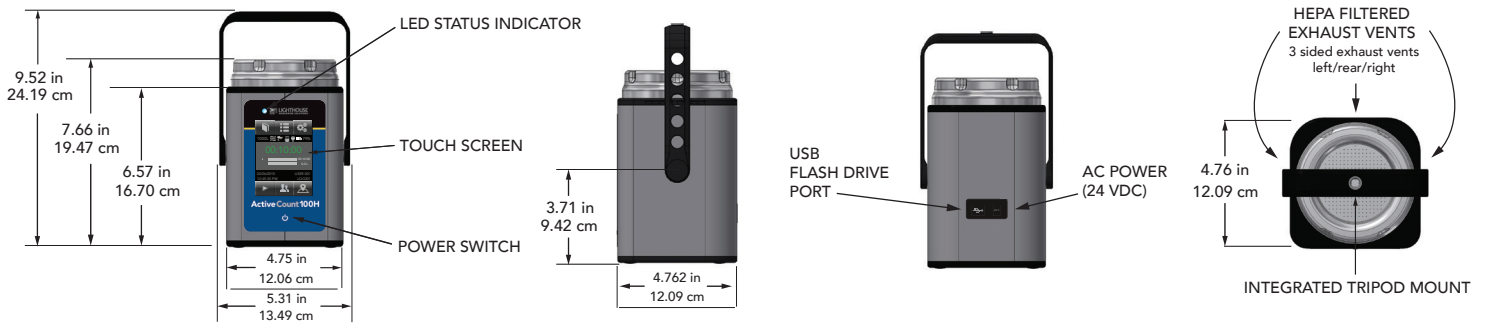
ActiveCount100H and ActiveCount25H come with HEPA filtered exhaust, a removable magnetic baseplate, a stainless steel sampling head and dust cover.

## F E A T U R E S

- Wipedownable and suitable for sterile conditions
- Autoclavable sampling head and dust cover
- ISO 14698-1 compliant
- 50 programmable user names
- 400 programmable location names
- Data logging to USB flash drive
- Password security for sample settings
- Continuous, Periodic and Gas sampling modes
- Battery with 8-10 hours normal use
- 2 Year Warranty



 Learn More



## TECHNICAL DATASHEET

### ActiveCount Microbiological Samplers

Features / Models	AC100H	AC100	AC25H
<b>Flow Rate</b>	100 liters/minute	100 liters/minute	25 liters/minute
<b>Petri Dish Holder</b>	Removable, magnetic and autoclavable	Fixed	Removable, magnetic and autoclavable
<b>Impactor Head</b>	316L SS with 300 holes, 19m/s, d50: 1µm	316L SS with 300 holes, 19m/s, d50: 1µm	316L SS with 88 holes 19m/s, d50: 1µm
<b>Weight</b>	6.75 lbs. (3.06 kg)	5.80 lbs. (2.63 kg)	5.80 lbs. (2.63 kg)
<b>Dust cover</b>	316L Stainless Steel, autoclavable		
<b>Dish compatibility</b>	Compatible with standard 90 mm petri dish (85mm-92mm) and Rapid Micro Bio Systems Cassette		
<b>Sample volume presets</b>	8 Programmable volume presets		
<b>User names</b>	50 Programmable user names		
<b>Location names</b>	400 Programmable location names		
<b>Display</b>	3.5 inch (8.9 cm) color touch screen		
<b>LED light</b>	RGB LED light for status, alerts and alarms		
<b>Speaker</b>	Adjustable speaker volume		
<b>Time/Date formats</b>	Time format 12 or 24 hours, Date formats YYYY/MM/DD, MM/DD/YYYY, DD/MM/YYYY		
<b>USB port</b>	USB 2.0 port		
<b>Data records</b>	Unlimited; saved on USB flash drive in .csv file format		
<b>Log file data fields</b>	Start date, time, location, user, sample duration, flow duration, volume, cycles, status		
<b>Active flow control</b>	Actively controlled air flow		
<b>Handle - tripod mountable</b>	Tripod mountable handle 3/8-16, includes 1/4-20 threaded adapter		
<b>HEPA filtered exhaust (H models)</b>	HEPA filtered exhaust captures 99.97% of particles at 0.3 µm		
<b>Enclosure</b>	316L Stainless Steel		
<b>Power</b>	24 VDC power adapter (100-240V ~ 1.5A 50-60Hz)		
<b>Battery</b>	8 Hours continuous sampling or 10 hours normal sampling use, 4 hours charge time		
<b>Weight</b>	6.75 lbs. (3.06 kg)		
<b>Calibration</b>	ISO 17025 Accredited		
<b>Operating environment</b>	0-90% Humidity non condensing, 0-40°C sampling, 0-35°C charging		
<b>Dimensions</b>	7.6"(h) x 4.7"(w) x 4.7"(d) [19.4 (h) x 12.0 (w) x 12.0 (d) cm]		
<b>Carry case</b>	Pelican case with Lighthouse Worldwide Solutions logo		

**Includes** ActiveCount, 316L stainless steel sample head, 316L stainless steel dust cover, removable magnetic baseplate (if applicable), blower inlet seal, Petri dish adjustment tool, USB flash drive, 1/4-20 threaded tripod adapter, 24 VDC power adapter with cord, calibration certificate, carry case.

**Optional** Remote impactor kit, Rapid Micro Bio Systems Kit, compressed gas sampler, tubing, cleanroom tripod, IQ/OQ protocols.

**Distributed By:**



Lighthouse Worldwide Solutions reserves the right to change specifications without notice.

www.golighthouse.com  
info@golighthouse.com

+1-800-945-5905  
+1-541-770-5905

**LIGHTHOUSE**  
WORLDWIDE SOLUTIONS